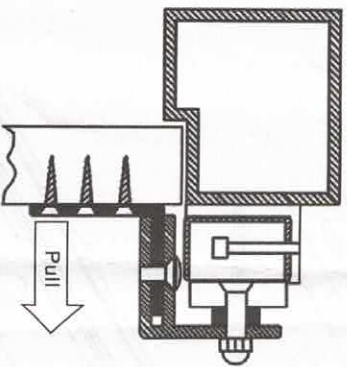


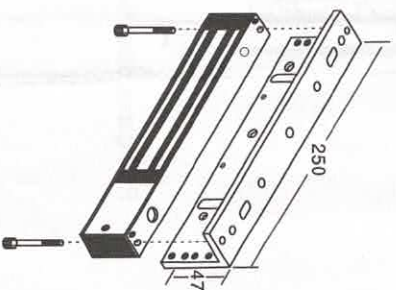
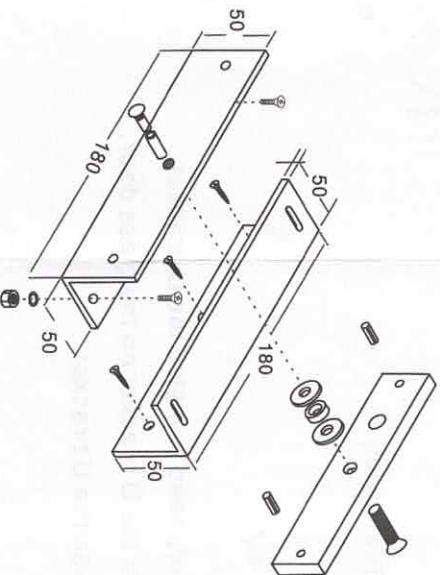


ZL Bracket for In-swing Door

- For in-swing door, install the lock body inside and then need to install the ZL bracket at the same time.
- Discharge the mounting plate from lock body.
- Fix the L bracket on the door frame and then fix the lock body on the L bracket.
- Assemble the Z bracket and then fix it on the door frame
- Fix the armature plate on the Z bracket

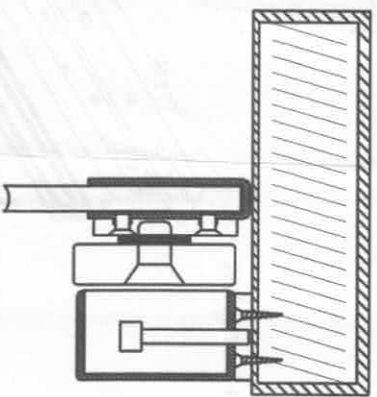


Swing in installation

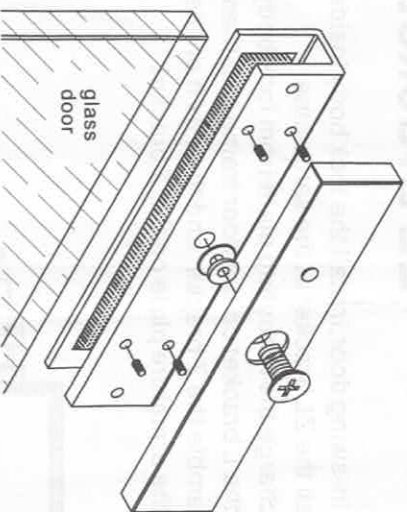




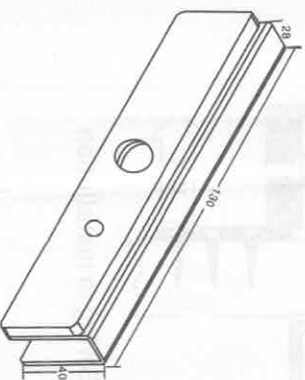
Installation Instruction of U Bracket for Glass Door



Pull glass door leaf (swinging out)



U Bracket Installation



- If the door is glass door, need to install the U bracket.
- Use the Allen key to fix the U bracket on the glass door.
- Fix the amature plate on the U bracket.